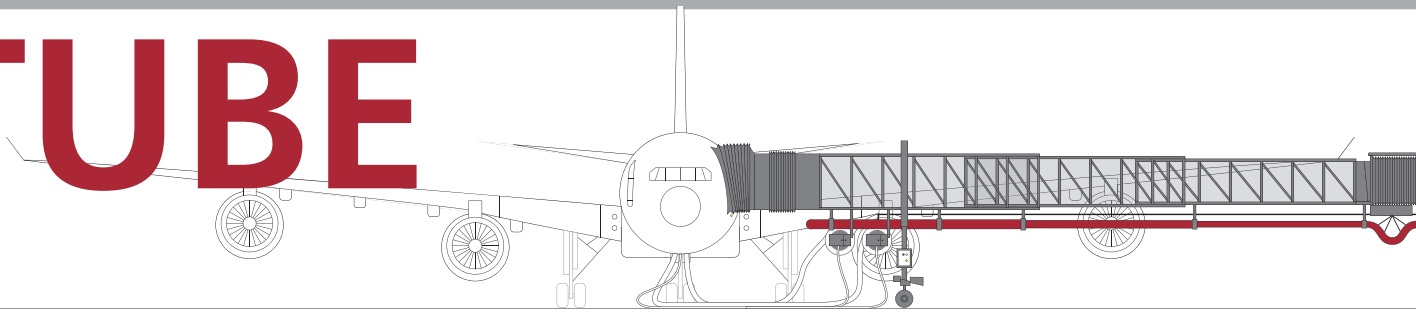


# STAINLESS STEEL TELESCOPIC TUBE



## AGES - Telescopic Tube

The two or three stage telescopic tube, manufactured entirely in stainless steel, provides high quality and durability, with low maintenance costs and minimal pressure and temperature losses. The double-wall insulated telescopic tube is mounted directly under the passenger bridge and conducts conditioned air from the PCA unit over a hose reel to the aircraft.

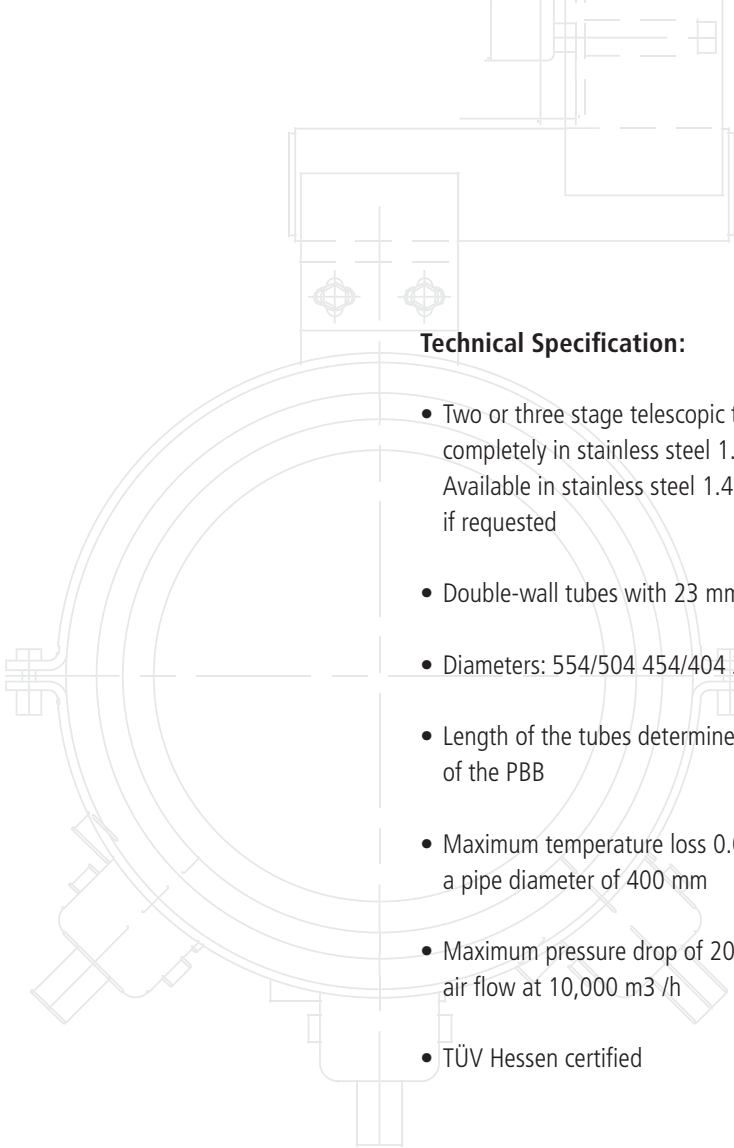
Ensuring the highest quality in all aspects, the IST telescopic tube has been developed in cooperation with former Swissair engineers according to the specifications of the Airports. The initially patented telescopic tube is the only PCA tube worldwide that consistently demonstrates a well above average service life of more than 20 years. The first tubes have been installed at Airport Zurich in the year 2000 and have never had any maintenance work nor replacements of spare parts.

The telescopic tube is manufactured entirely in stainless steel and due to that extremely stable, robust and basically maintenance free. As a result of the exceptionally smooth surfaces that can be achieved through the use of stainless steel, pressure losses are reduced to a minimum. With its special sandwiched insulation the tube achieves a very high K value with low temperature losses.



The special construction with flexible outside and inside bearings guarantees a proper adaption of the telescopic tube to axial and lateral movements of the boarding bridge and is furthermore self-supporting over long spans. The gasket designed by IST withstands temperature fluctuations from  $-40^{\circ}\text{C}$  to  $+80^{\circ}\text{C}$  and is absolutely wear resistant.

By combining other PCA equipment provided by IST, we guarantee the highest quality with lowest temperature and pressure losses and the best performance in the market with an availability of the complete PCA system of 99.96% proved by the airports.



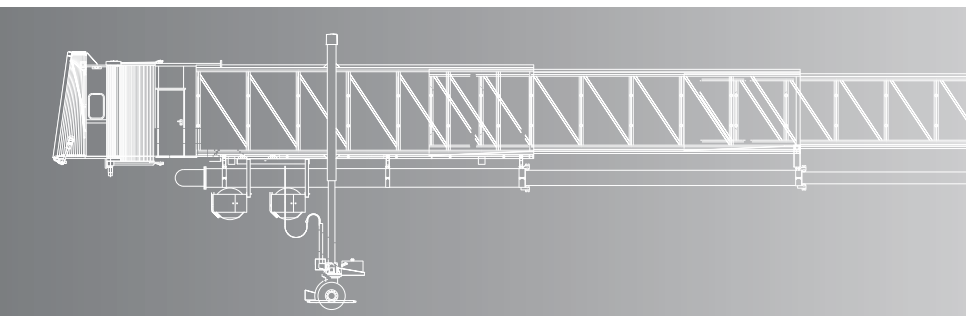
### Technical Specification:

- Two or three stage telescopic tube manufactured completely in stainless steel 1.4301 (AISI 304 L)  
Available in stainless steel 1.4404 (AISI 316 L) if requested
- Double-wall tubes with 23 mm insulation
- Diameters: 554/504 454/404 354/304 x 2 mm
- Length of the tubes determined by the length of the PBB
- Maximum temperature loss 0.017 K/m for a pipe diameter of 400 mm
- Maximum pressure drop of 20 Pa/m with air flow at 10,000 m<sup>3</sup> /h
- TÜV Hessen certified

We offer you a 10 year guarantee with a concluded service contract

 **SWISS MADE**

As a Swiss producer, the company has committed itself to the "Swiss Quality" standard of excellence. In order to ensure that Swiss standards of quality are met in every sense, IST's products are exclusively produced by its qualified staff at its location in Switzerland.



### Why stainless steel?

#### Quality

Stainless steel components are easy to clean, virtually maintenance free and durable.

#### Safety

Stainless steel is strong, corrosion resistant, wear resistant and resilient.

#### Design

Stainless steel is aesthetically pleasing.

#### Environment

Stainless steel has better energy and resource-use balance and is 100% recyclable.

#### Cost

Technically and economically, stainless steel is the best solution.



IST-Edelstahl-Anlagenbau AG  
Schorenstrasse 54  
CH-3645 Thun-Gwatt  
Switzerland  
Tel.: +41 (0)33 334 26 00  
Fax: +41 (0)33 336 72 66  
E-Mail: [ist@istinox.ch](mailto:ist@istinox.ch)

Visit our website at  
[www.istinox.ch](http://www.istinox.ch)



#### Certificates

